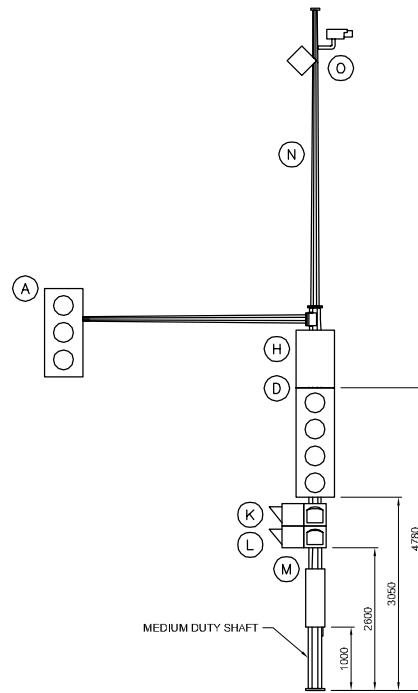
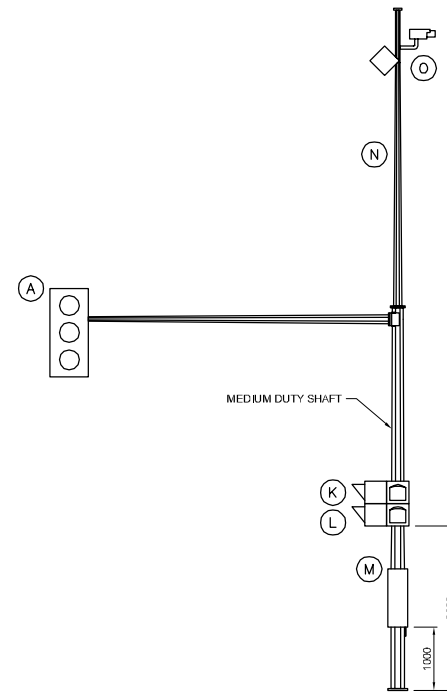


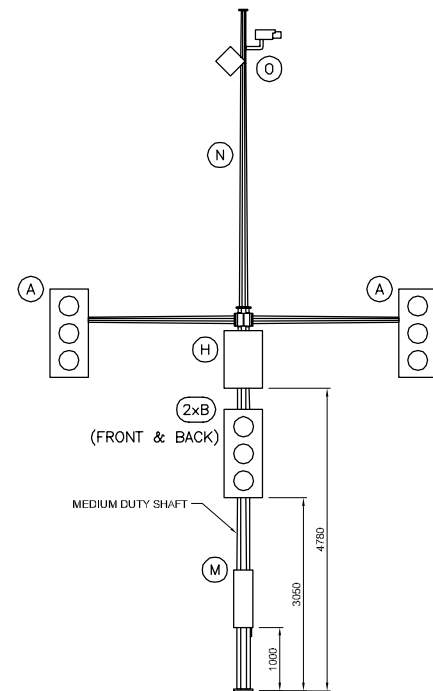
M8-Ga-E



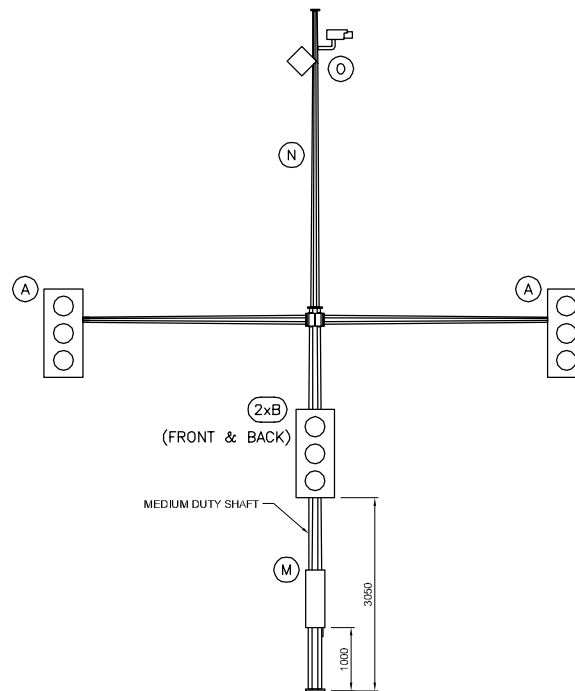
M12-Ga-E



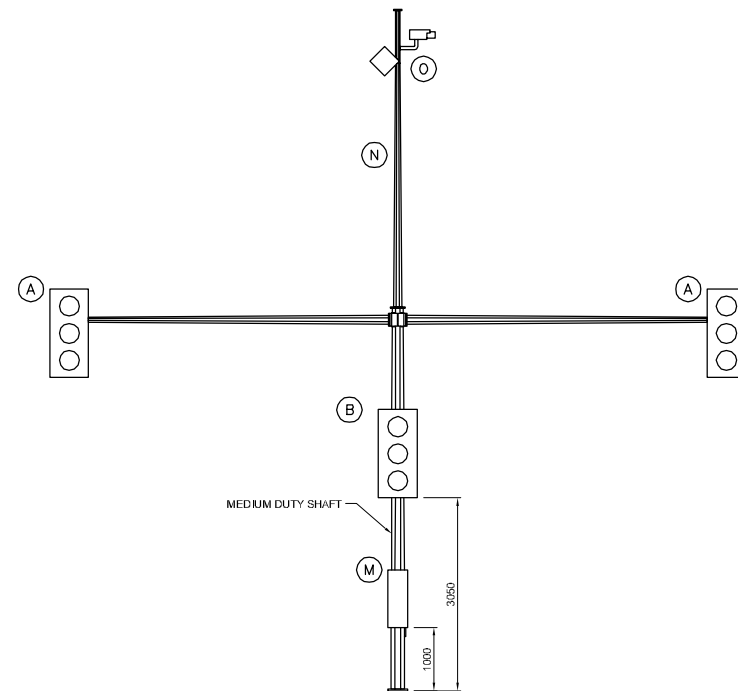
M16-Ga-E



M8/8-Gb-E



M12/12-Gb-E
M12/8-Gb-E



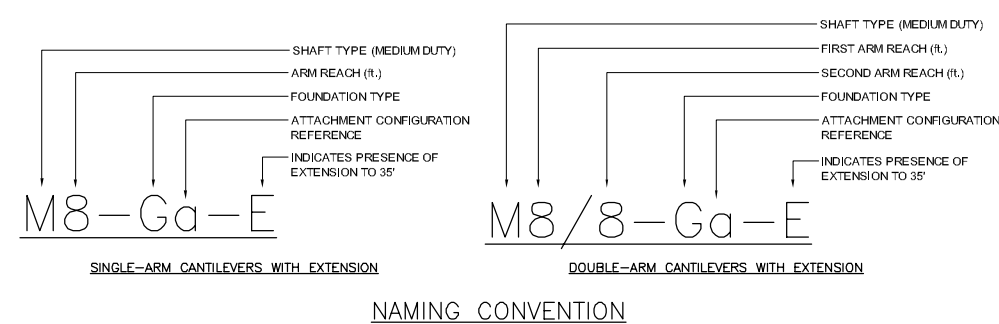
M16/16-Gb-E
M16/12-Gb-E
M16/8-Gb-E

NOTE:

1. ALL CONFIGURATIONS TO BE INSTALLED ON TYPE G-T BREAKAWAY BASE.
2. REFER TO SHEET 2 FOR ATTACHMENT DATA.
3. LOAD CONFIGURATIONS SHOWING SINGLE-ARM CANTILEVER ARM REACH TO THE LEFT, REACH TO THE RIGHT ALSO PERMITTED.



REDUCED DRAWING
N.T.S.



NO.	REVISIONS	DATE	BY	DATE
2	REVISED BY DILLON CONSULTING	1/10/14	CDW	
1	ISSUED BY DILLON CONSULTING	1/14/13	CDW	

DESIGNED BY	CDW
DRAWN BY	JGW
CHECKED BY	SSR
APPROVED BY	-
HOR. SCALE	NTS
VERTICAL	NTS
RELEASED FOR CONSTRUCTION	
DATE	

ENGINEER'S SEAL

 CONSULTANT PROJECT NUMBER
 12-5954

THE CITY OF WINNIPEG
 PUBLIC WORKS DEPARTMENT
 ATTACHMENT CONFIGURATIONS FOR MEDIUM DUTY STRUCTURES - 8', 12' & 16' ARMS WITH EXTENSION
 CITY DRAWING NUMBER N/A
 SHEET 6 OF 17
 CONSULTANT DRAWING NUMBER N/A

G:\CAD\125954\Contract\POLE CONFIGURATIONS.dwg